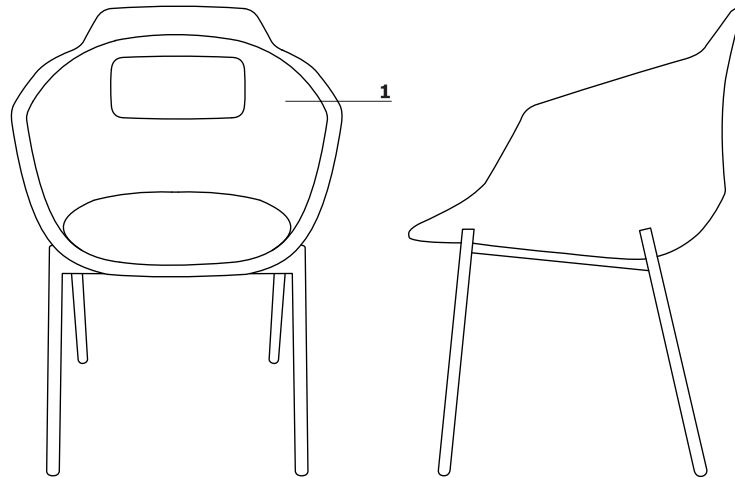




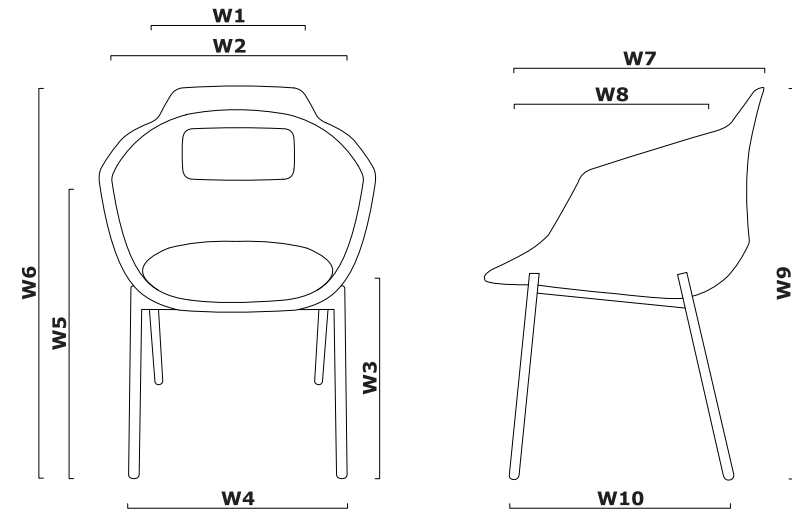
**Technical specification**

**1 Seat** - metal frame filled with foam, density of 55 kg/m<sup>3</sup>, upholstered



- max. load 120 kg

**Dimensions (mm)**



W1 - 400 | W2 - 600 | W3 - 485 | W4 - 500 | W5 - 660 | W6 - 850 | W7 - 600 | W8 - 530 | W9 - 850 | W10 - 500|

**Bases**

**1 Base P7KM:**

- 4 - star, metal, powder coated
- fixed seat
- legs 30 × 18 mm, wall thickness 1,5 mm; CNC - bent
- castors for soft floors

**2 Base P7KT:**

- 4 - star, metal, powder coated
- fixed seat
- legs 30 × 18 mm, wall thickness 1,5 mm; CNC - bent
- castors for hard floors

**3 Base P7:**

- 4 - star, metal, powder coated
- swivel seat - 360°
- legs 30 × 18 mm, wall thickness 1,5 mm; CNC - bent
- legs finished with polypropylene feet, colour: black

**4 Base P1:**

- 4 - legged, metal, powder coated
- legs made of tube Ø22 mm, wall thickness 2,5 mm, CNC - bent
- legs finished with polypropylene feet, colour: black

**5 Base P11:**

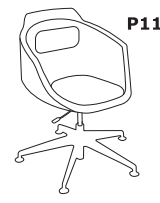
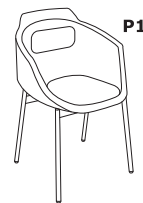
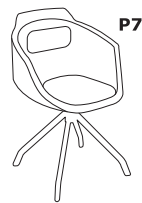
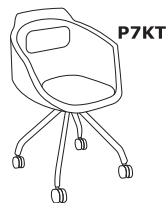
- base 5 - star, polypropylene, Ø=680 mm, h=124 mm
- polypropylene feet Ø50 mm, h 32
- gas spring, steel, colour: black, adjustment range 130 mm (400 - 530 mm)

**6 Base P11KM:**








- base 5 - star, polypropylene, Ø=680 mm, h=124 mm
- castors for soft floors Ø 55 mm
- gas spring, steel, colour: black, adjustment range 130 mm (400 - 530 mm)

**7 Base P11KT:**

- base 5 - star, polypropylene, Ø=680 mm, h=124 mm
- castors for hard floors
- gas spring, steel, colour: black, adjustment range 130 mm (400 - 530 mm)

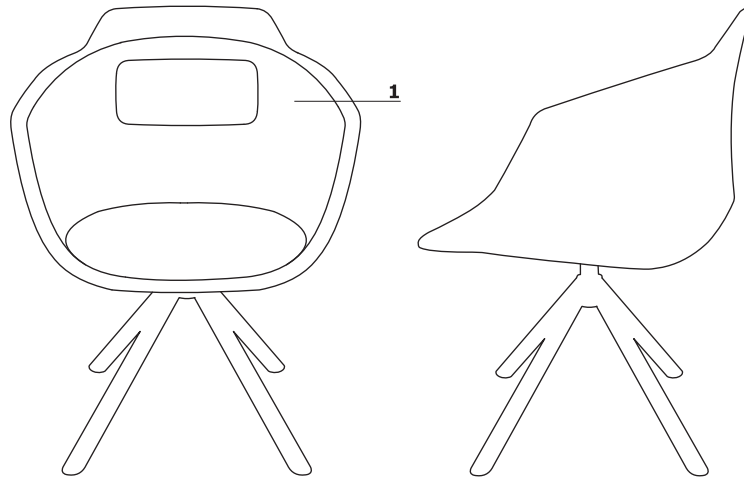


Ultra F

Symbol: ULTRAF					
	Base	II	III	kg m3 pcs	Additional information
		Medley, Atlantic, Vita, River	Xtreme, Synergy		
	<b>P7KM</b>			18 0,334 1	
	<b>P7KT</b>			18 0,334 1	
	<b>P7</b>			18 0,334 1	
	<b>P1</b>			18 0,334 1	
	<b>P11</b>			18 0,334 1	
	<b>P11KM</b>			18 0,334 1	
	<b>P11KT</b>			18 0,334 1	

**Technical specification**

**1 Seat** - metal frame filled with foam, density of 55 kg/m<sup>3</sup>, upholstered



- max. load 120 kg

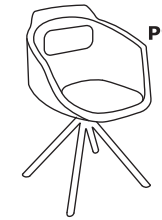
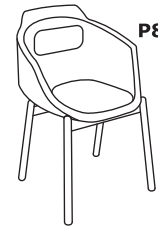
**Bases**

**1 Base P8:**

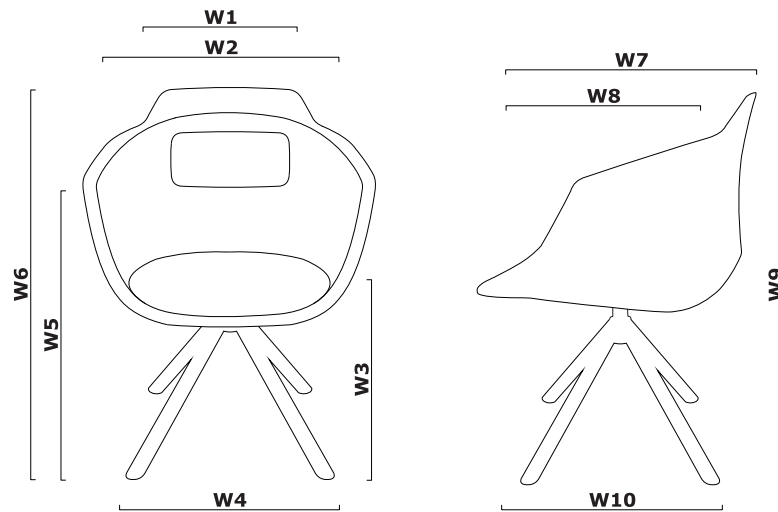
- 4 wooden legs, Ø35 mm
- beechwood coated with transparent varnish
- metal legs - connecting elements, colour: black semi-matt

**2 Base P9:**

- 4 - star, wooden, Ø35 mm
- beechwood coated with transparent varnish
- swivel seat - 360°
- metal legs - connecting elements, colour: black semi-matt





**Dimensions (mm)**



W1 - 400 | W2 - 600 | W3 - 485 | W4 - 500 | W5 - 660 | W6 - 850 | W7 - 600 |  
W8 - 530 | W9 - 850 | W10 - 500

Ultra FW

Symbol: ULTRAFW					
	Base	II	III	kg m3 pcs	Additional information
		Medley, Atlantic, Vita, River	Xtreme, Synergy		
	<b>P8</b>			16 0,334 1	
	<b>P9</b>			16 0,334 1	