

Technical specification

1 Shield - mesh (Runner), frame Ø25 mm, upholstered, two fabric layers attached to the frame with zip

- M - small shield
- S - medium shield
- D - large shield


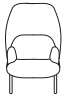

2 Seat, backrest, armrests - moulded foam, density of 55 kg/m³, upholstered

3 Base - 4-legged, metal, powder coated, Ø25 mm, wall thickness 1.5 mm, CNC-bent, legs finished with polypropylene feet, colour: white - white frame; colour: black - other frame colours

- max. load 120 kg

Dimensions (mm)

W1 - M/S/D - 900 | W2 - 600 | W3 - 360 | W4 - 180 | W5 - 250 | W6 - 900 |
 W7 - M - 850 | W8 - 380 | W9 - 420 | W10 - 900 | W11 - S - 870 | W12 - 1250 |
 W13 - D - 1000 | W14 - 1250|

Symbol: MESHF					
Shield	II	III	kg m ³ pcs	Additional information	
	Runner, Vita, Medley, River, Atlantic	Xtreme, Synergy			
	M (small)		25 0,744 1		
	S (medium)		26 1,103 1		
	D (large)		27 1,261 1		

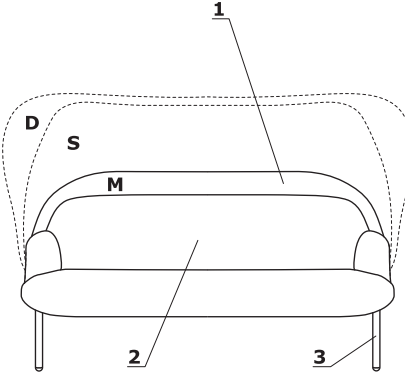
Technical specification

1 Shield - mesh (Runner), frame Ø25 mm, upholstered, two fabric layers attached to the frame with zip

- M - small shield
- S - medium shield
- D - large shield

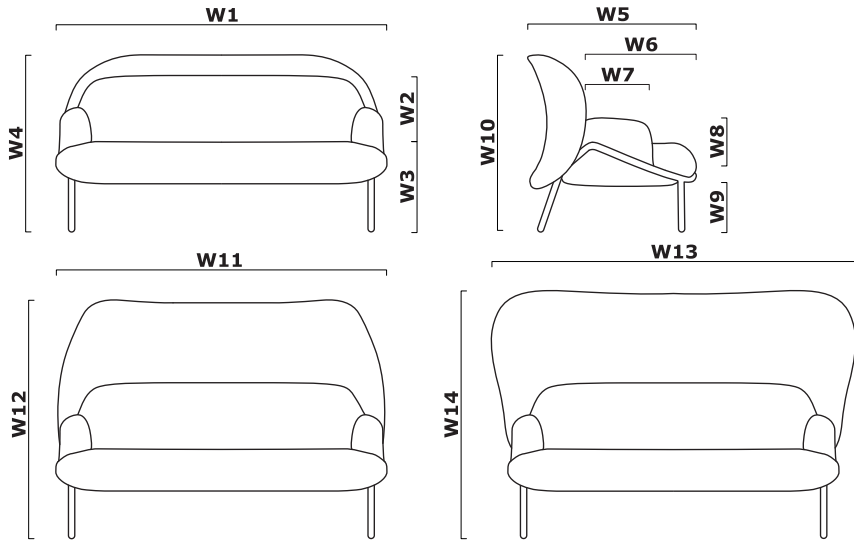
2 Seat, backrest, armrests - moulded foam, density of 55 kg/m³, upholstered

3 Base - 4-legged, metal, powder coated, Ø25 mm, wall thickness 1.5 mm, CNC-bent, legs finished with polypropylene feet, colour: white - white frame; colour: black - other frame colours

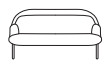
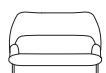
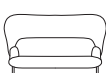


- max. load 120 kg

Dimensions (mm)



W1 - M - 1800 | W2 - 380 | W3 - 420 | W4 - 900 | W5 - M/S/D - 900 | W6 - 600 |
 W7 - 360 | W8 - 180 | W9 - 250 | W10 - 900 | W11 - S - 1820 | W12 - 1250 |
 W13 - D - 1900 | W14 - 1250 |

Symbol: MESHS					
Shield	II	III	kg m ³ pcs	Additional information	
	Runner, Vita, Medley, River, Atlantic	Xtreme, Synergy			
	M (small)		42 1,625 1		
	S (medium)		45 2,255 1		
	D (large)		48 2,352 1		