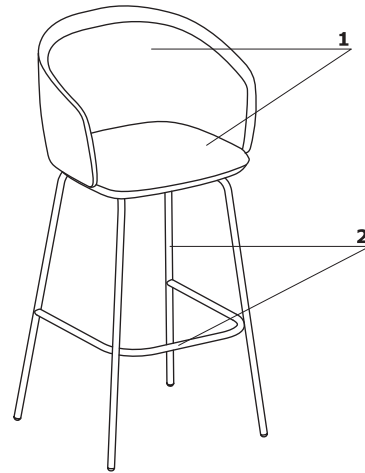


**Technical specification - high stool**

**1 Seat, backrest** - moulded foam (seat - density of 58 kg/m<sup>3</sup>, backrest - density of 60 kg/m<sup>3</sup>), upholstered

**2 Base:**

- 4 - legged, metal, powder coated
- legs made of tube Ø18 mm
- legs with glides

**Dimensions (mm) - high stool**